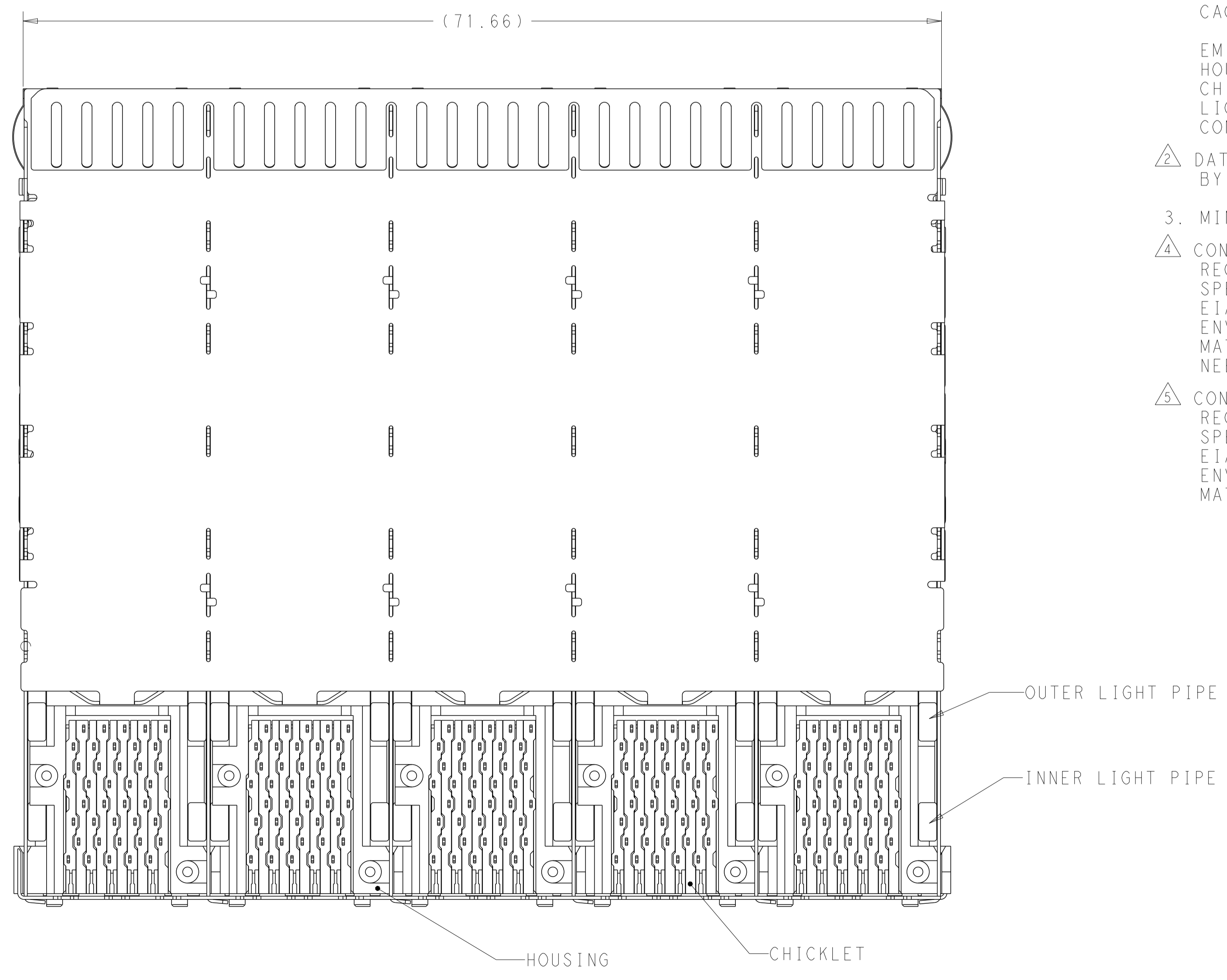
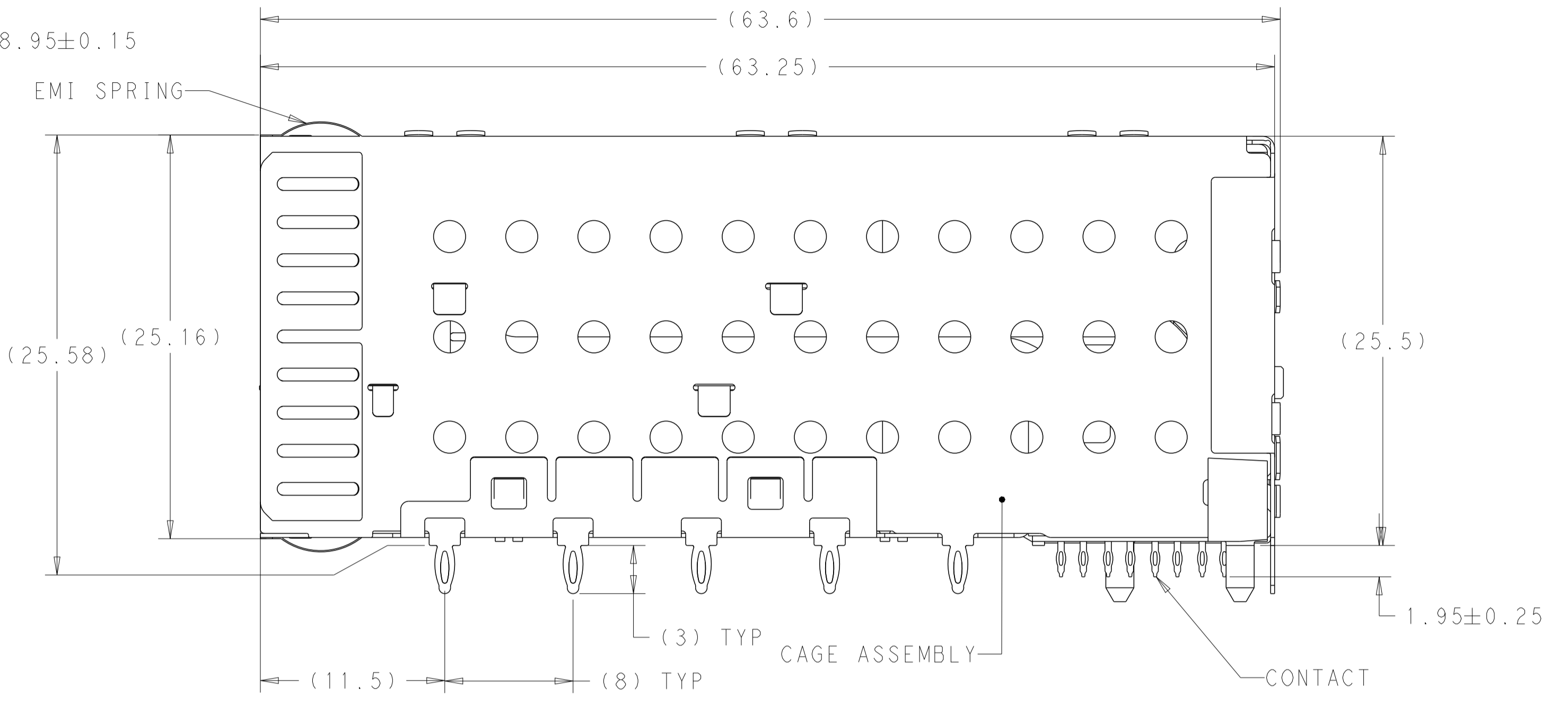
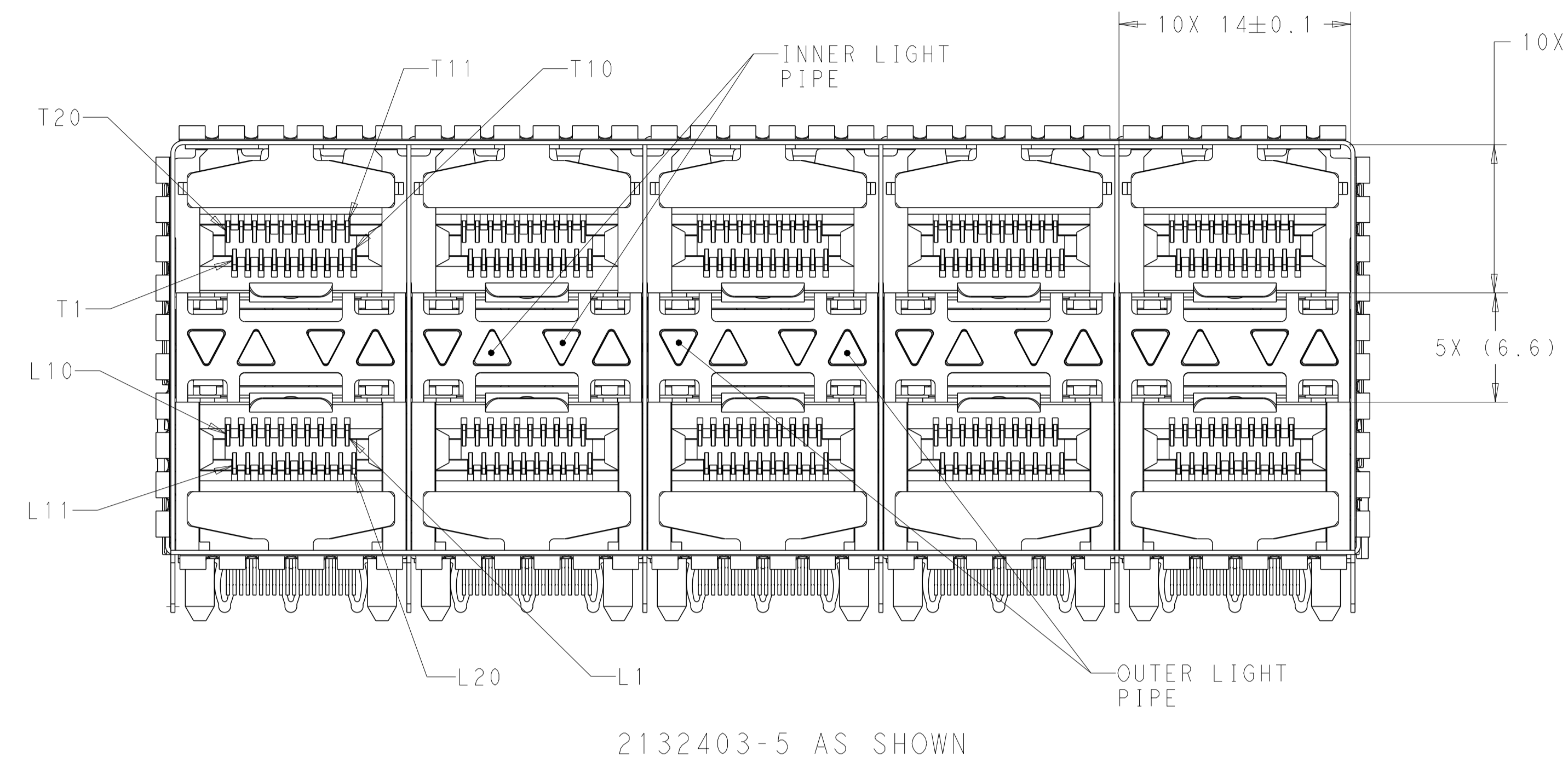


LOC		DIST		REVISIONS			
P	LTN	DESCRIPTION	DATE	DWN	APVD		
B		REVISED PER ECO-15-017919	06APR2016	AP	RP		



- 1 MATERIALS:  
CAGE ASSEMBLY- NICKEL SILVER ALLOY PER ASTM B 122.  
EMI SPRING- COPPER ALLOY.  
HOUSING- BLACK LCP, UL 94V-0 RATED.  
CHICKLET- BLACK LCP, UL 94V-0 RATED.  
LIGHT PIPE- POLYCARBONATE, CLEAR.  
CONTACT- COPPER ALLOY.
- 2 DATUM AND BASIC DIMENSIONS ESTABLISHED BY CUSTOMER.
- 3. MINIMUM PCB THICKNESS OF 1.5.
- 4 CONTACT FINISH: CONFORMS TO THE REQUIREMENTS OF TE PRODUCT SPECIFICATION 108-2331, BASED ON EIA/ECA-364-1000.01A, (CONTROLLED ENVIRONMENT APPLICATIONS) ON MATING INTERFACE, TIN-LEAD ON NEEDLE EYE.
- 5 CONTACT FINISH: CONFORMS TO THE REQUIREMENTS OF TE PRODUCT SPECIFICATION 108-2331, BASED ON EIA/ECA-364-1000.01A, (CONTROLLED ENVIRONMENT APPLICATIONS) ON MATING INTERFACE, TIN ON NEEDLE EYE.
- 6 FOR HOLE SIZE AND PLATINGS, SEE APPLICATION SPEC 114-13219.
- 7 THE ENTIRE AREA OF THE CONNECTOR FOOTPRINT, INDICATED BY THE DASHED LINE, TO BE CONSIDERED THE KEEPTOUT AREA FOR COMPONENTS AND SIGNAL TRACES, TOP SIDE ONLY. TOP SIDE TRACES ALLOWED WITHIN CONNECTOR HOLE PATTERN.
- 8 LIGHT PIPE PAD LAYOUT IS FOR 0805 LOW PROFILE LED PACKAGE WITH A HEIGHT OF 0.8mm.
- 9 EMI SPRING FINISH: 0.8µm MINIMUM MATTE TIN OVER 0.8µm MINIMUM NICKEL, NON-PLATED EDGES PERMISSIBLE.
- 10 ADDITIONAL COMPONENT LOCATED WITHIN LATCH PLATE FOR EMI SUPPRESSION.

ENHANCED EMI	FINISH	DESCRIPTION	PART NUMBER
YES 10	5	NO LIGHT PIPES	1-2132403-8
		OUTER 2 LIGHT PIPES	1-2132403-7
		INNER 2 LIGHT PIPES	1-2132403-6
NO	5	4 LIGHT PIPES	1-2132403-5
		NO LIGHT PIPES	2132403-8
		OUTER 2 LIGHT PIPES	2132403-7
SUPERSEDED	NO	INNER 2 LIGHT PIPES	2132403-6
		4 LIGHT PIPES	2132403-5
		NO LIGHT PIPES	2132403-4
		OUTER 2 LIGHT PIPES	2132403-3
		INNER 2 LIGHT PIPES	2132403-2
		4 LIGHT PIPES	2132403-1

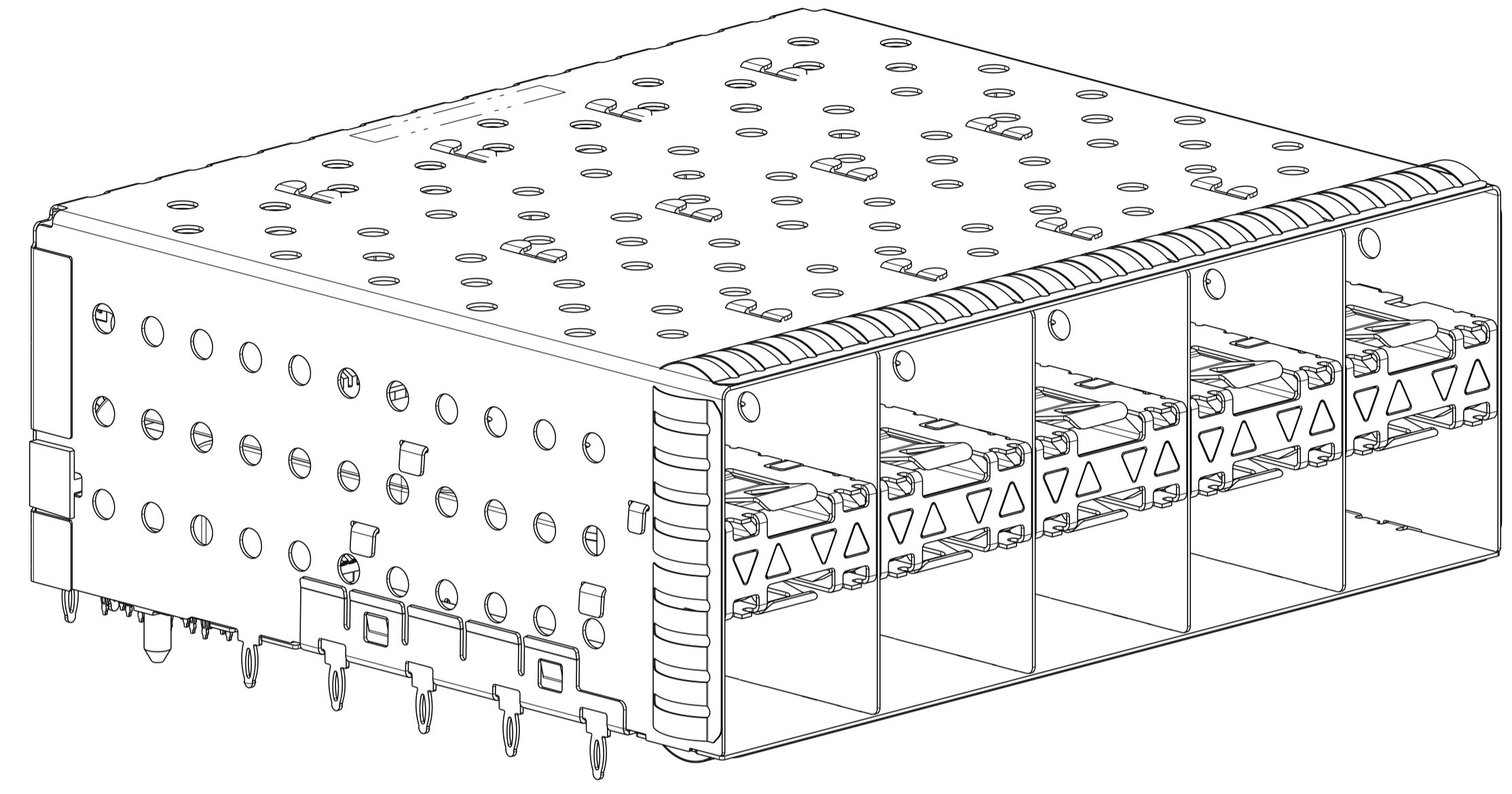
THIS DRAWING IS A CONTROLLED DOCUMENT. DIMENSIONING AND TOLERANCING PER ASME Y14.5M-2009. TOLERANCES UNLESS OTHERWISE SPECIFIED:

DIMENSIONS:	mm	0 PLC ±0.1	1 PLC ±0.1	2 PLC ±0.1	3 PLC ±0.1	4 PLC ±0.1	ANGLES ±°	FINISH
MATERIAL	1	4	5	9				

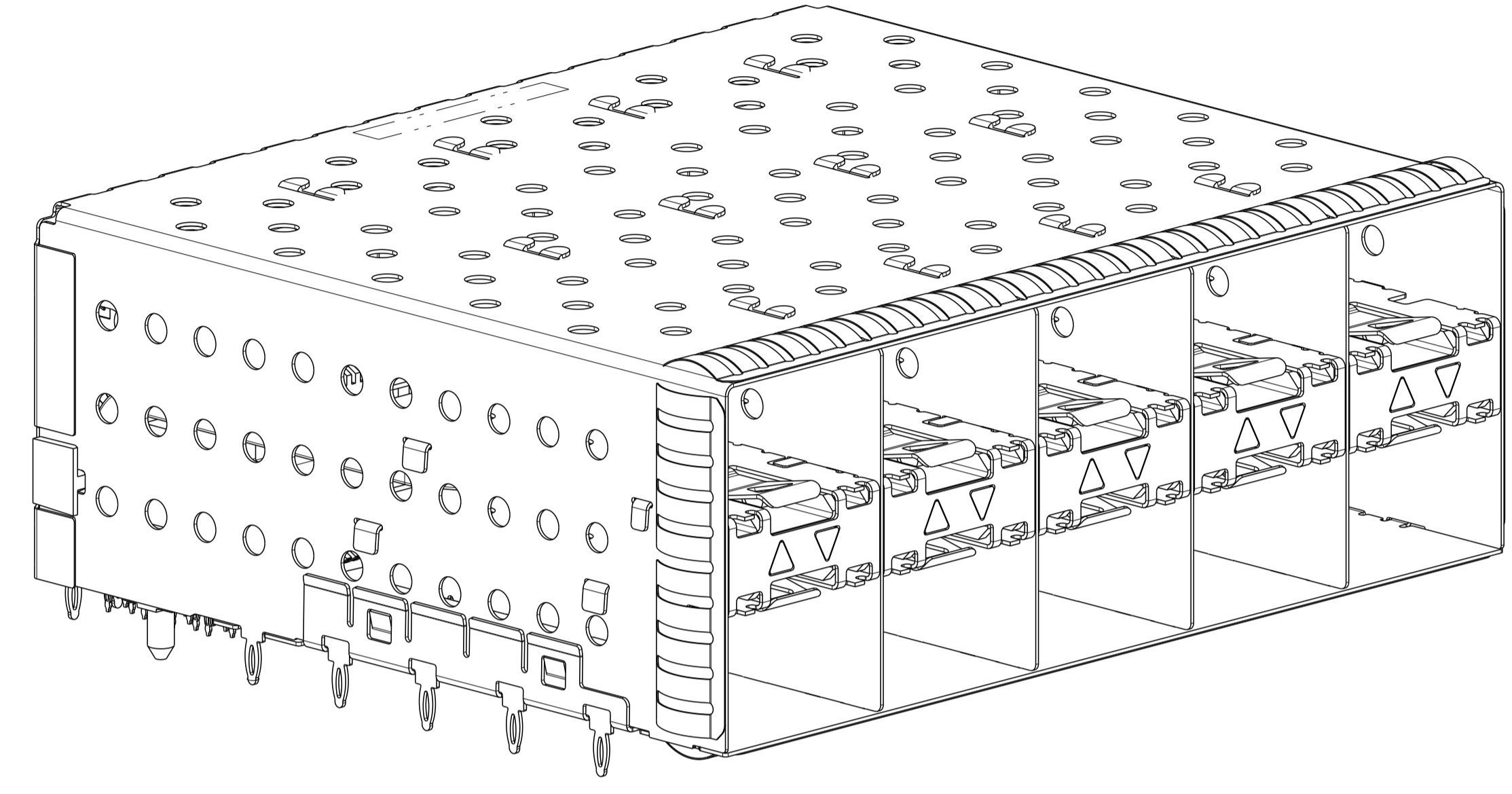
APVD: J. PETERSON 06JAN2010  
 NAME: CAGE AND PT CONNECTOR ASSEMBLY, WITH EMI SPRINGS, PRESS FIT, 2X5, STACKED SFP+  
 PRODUCT SPEC: 108-2331  
 APPLICATION SPEC: 114-13219  
 SIZE: A1  
 CAGE CODE: 00779  
 DRAWING NO: 2132403  
 WEIGHT: -  
 CUSTOMER DRAWING

SCALE: 4:1 SHEET 1 OF 4 REV B

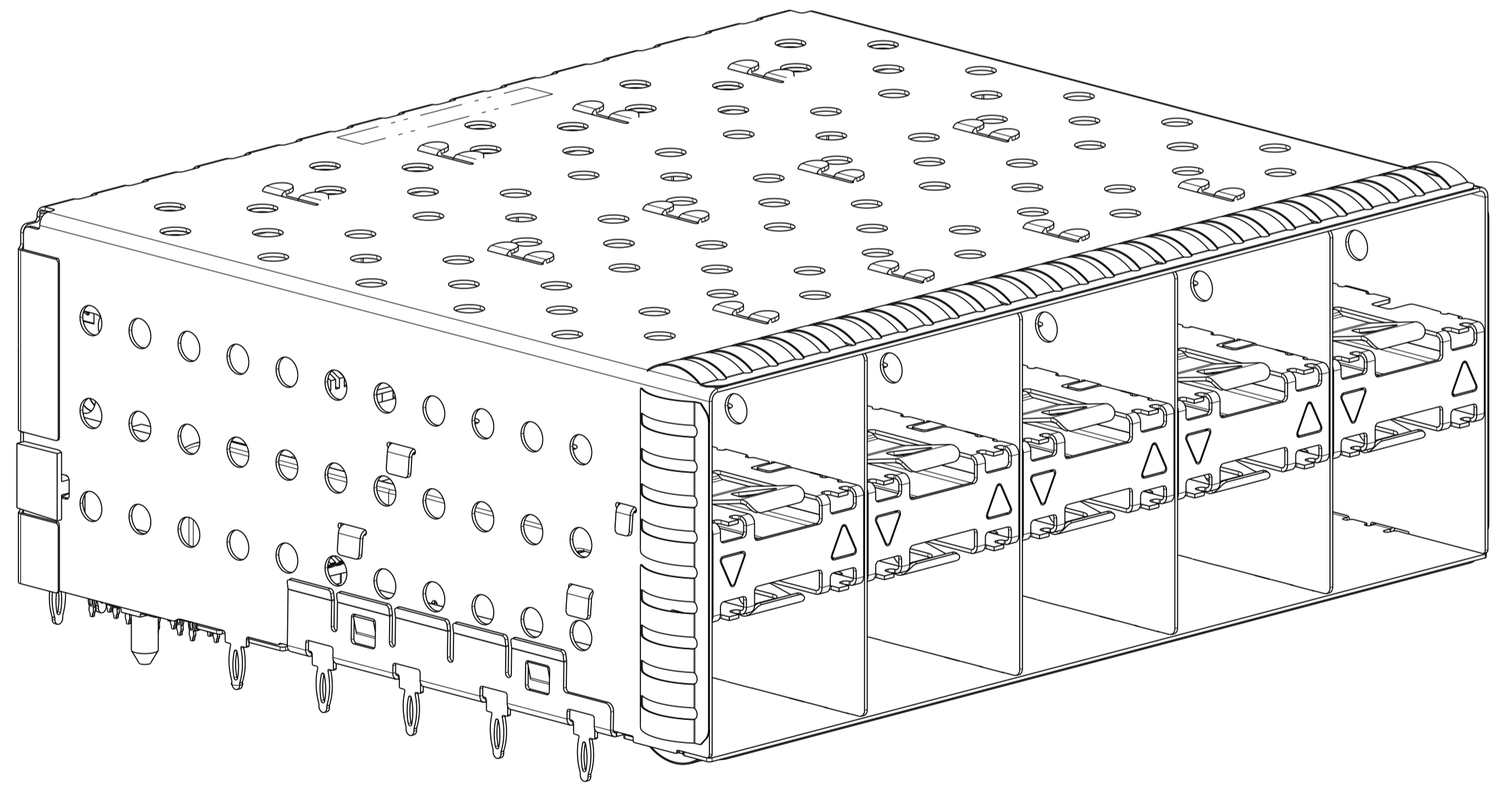
LOC		DIST		REVISIONS			
P	LTN	DESCRIPTION	DATE	DMN	APVD		
-		SEE SHEET 1	-	-	-		



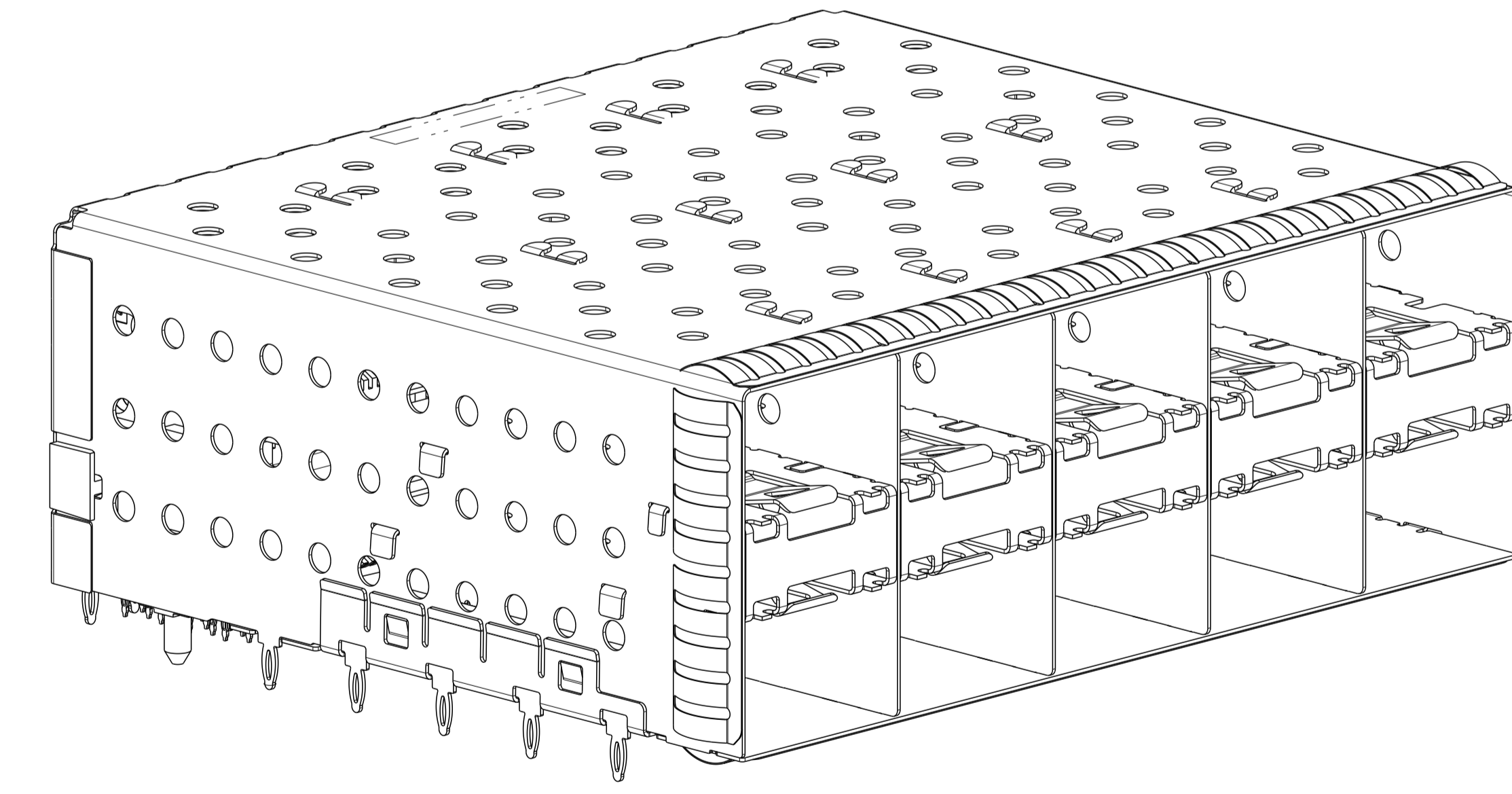
2132403-5 AND 1-2132403-5  
 SCALE 3:1




2132403-6 AND 1-2132403-6  
 SCALE 3:1



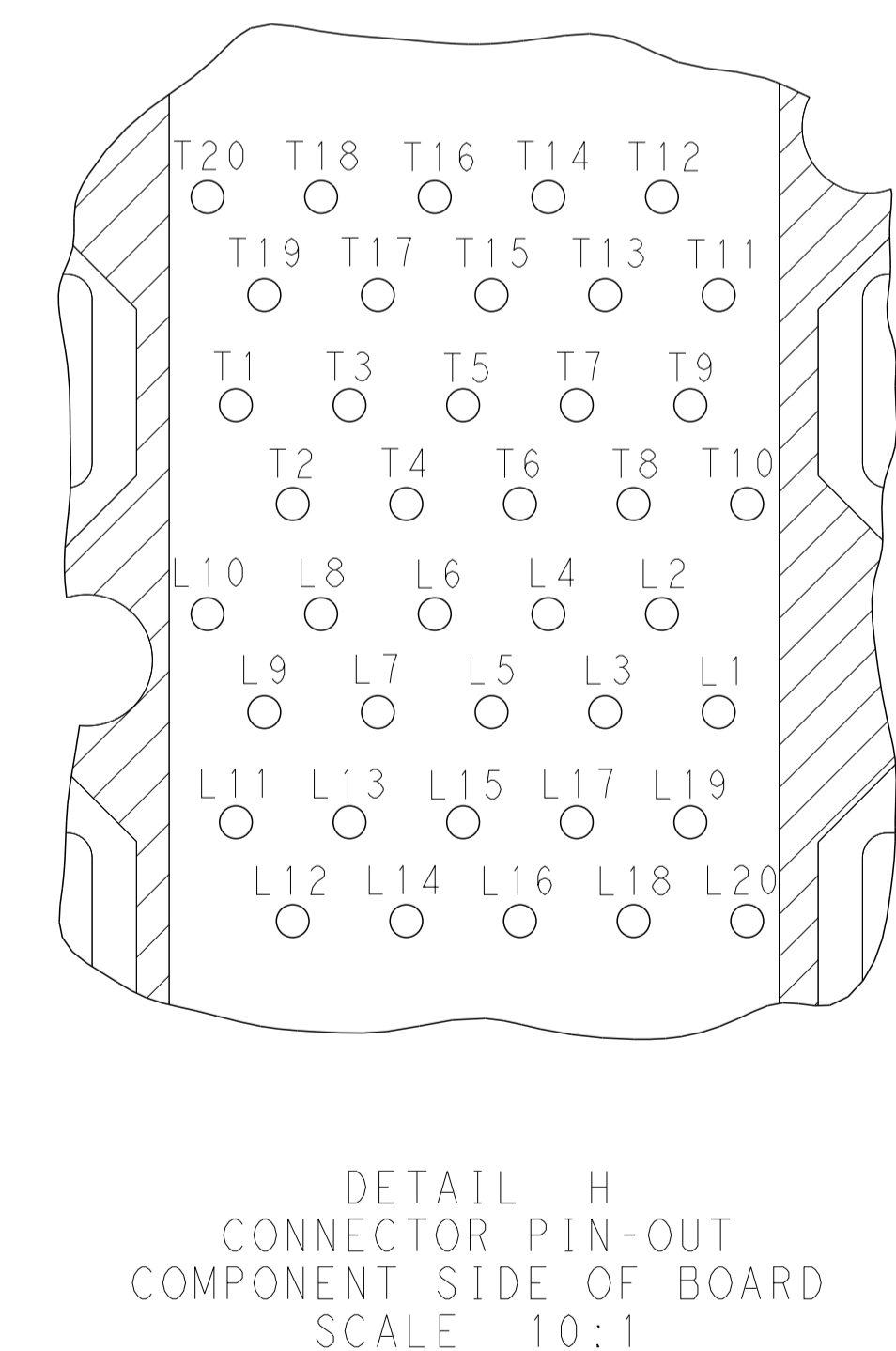
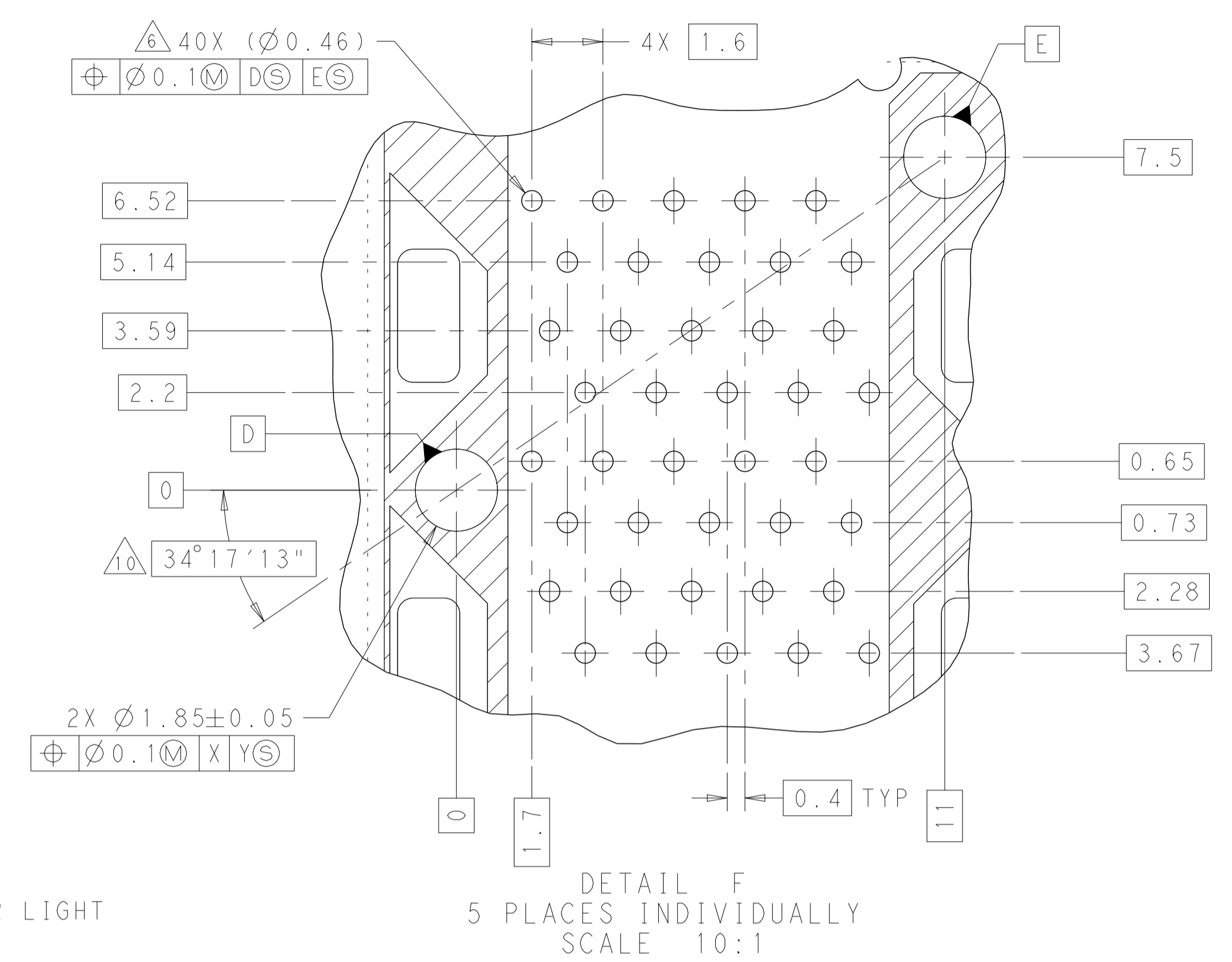
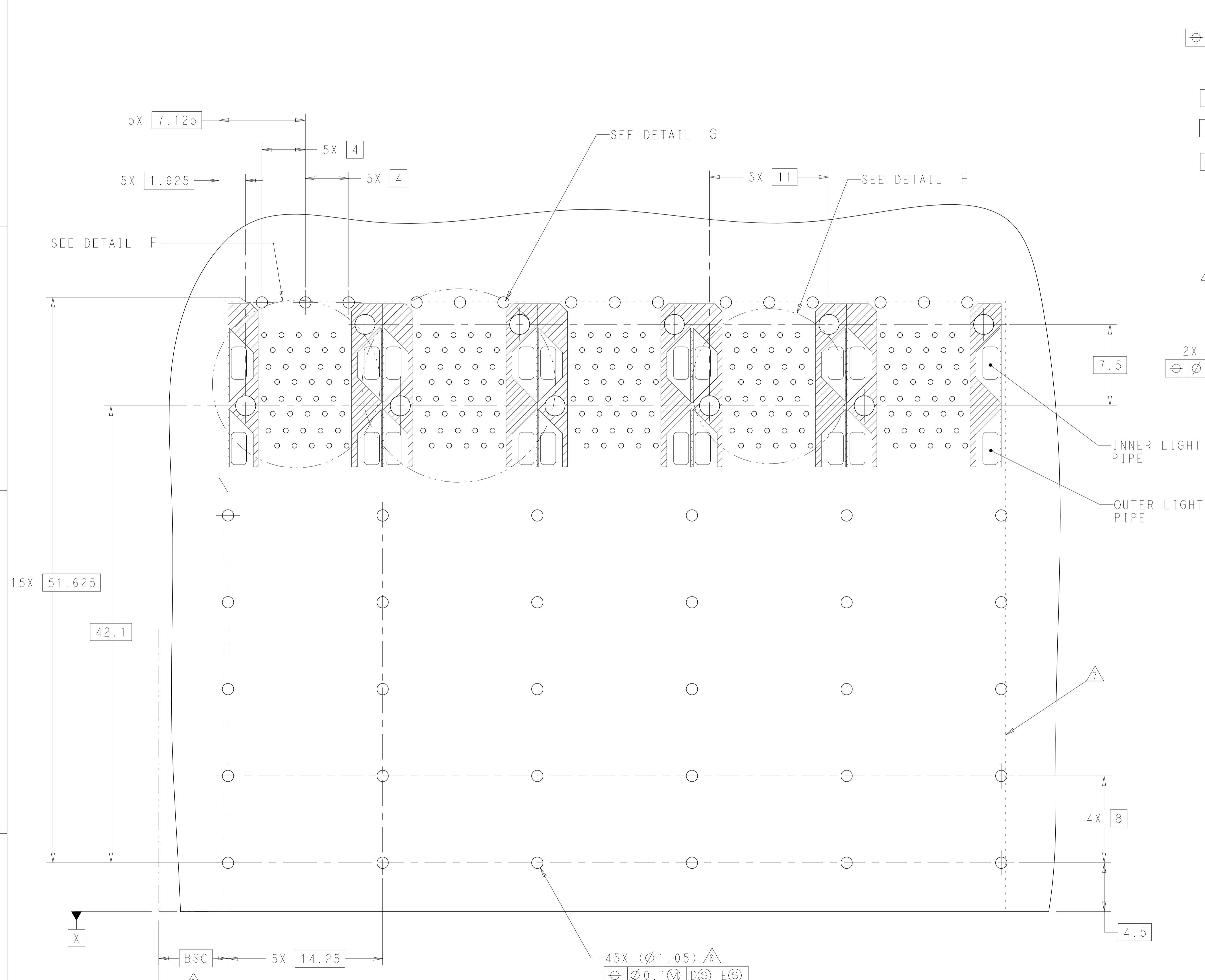
2132403-7 AND 1-2132403-7  
 SCALE 3:1



2132403-8 AND 1-2132403-8  
 SCALE 3:1

THIS DRAWING IS A CONTROLLED DOCUMENT. DIMENSIONING AND TOLERANCING PER ASME Y14.5M-2009.		DMN C. VALENTINE 06JAN2010	 TE Connectivity
DIMENSIONS: mm		CHK J. PETERSON 06JAN2010	
TOLERANCES UNLESS OTHERWISE SPECIFIED:		APVD J. PETERSON 06JAN2010	NAME CAGE AND PT CONNECTOR ASSEMBLY, WITH EMI SPRINGS, PRESS FIT, 2X5, STACKED SFP+
0 PLC ±0.1 1 PLC ±0.1 2 PLC ±0.1 3 PLC ±0.1 4 PLC ±0.1 ANGLES ±° FINISH		PRODUCT SPEC 108-2331 APPLICATION SPEC 114-13219 WEIGHT	
MATERIAL		114-13219	SIZE CAGE CODE DRAWING NO. RESTRICTED TO A100779C=2132403
CUSTOMER DRAWING		SCALE 4:1	SHEET 2 OF 4 REV B

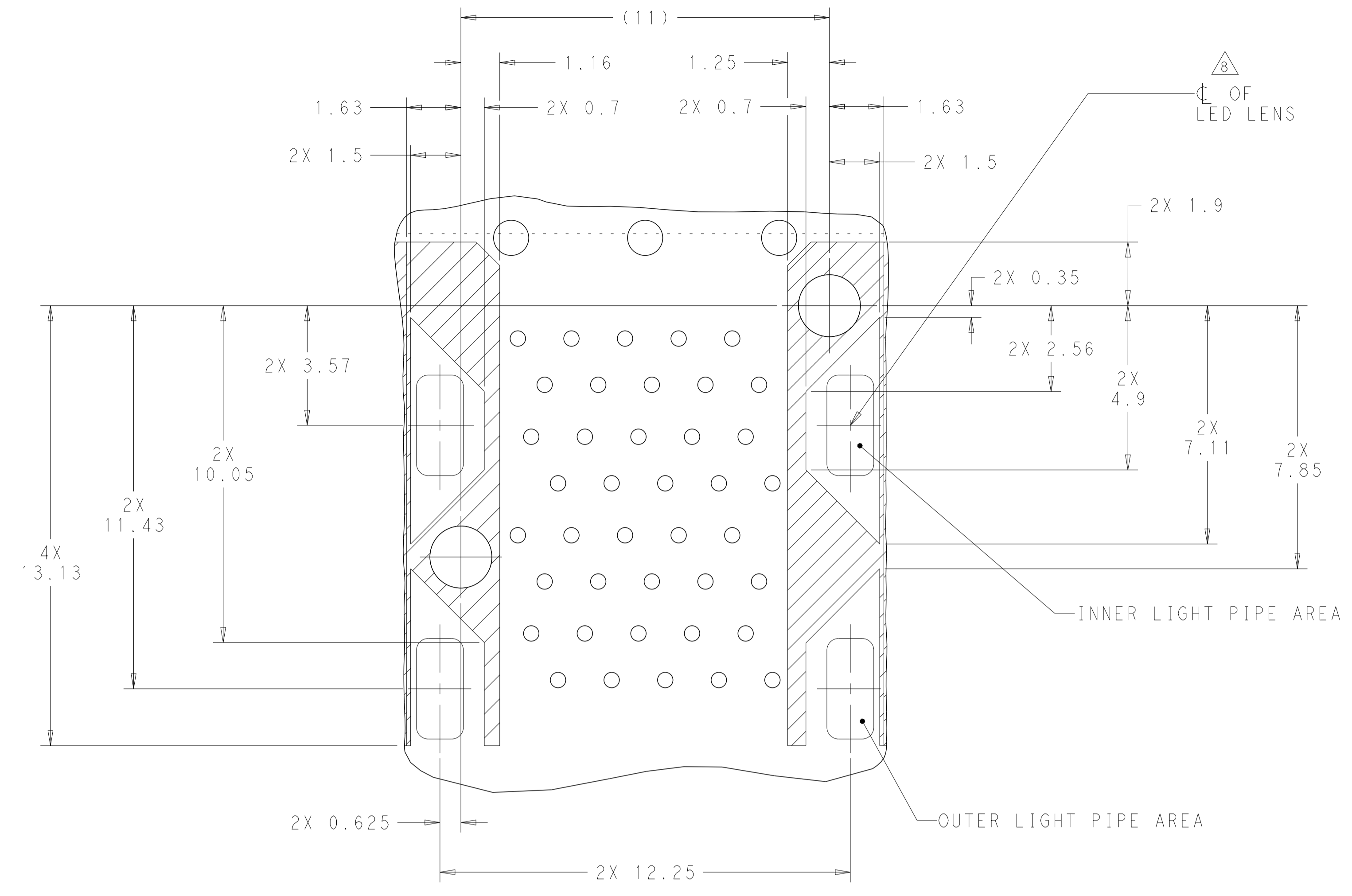
LOC		DIST		REVISIONS			
P	LTN	DESCRIPTION	DATE	DMN	APVD		
-	-	SEE SHEET 1	-	-	-		



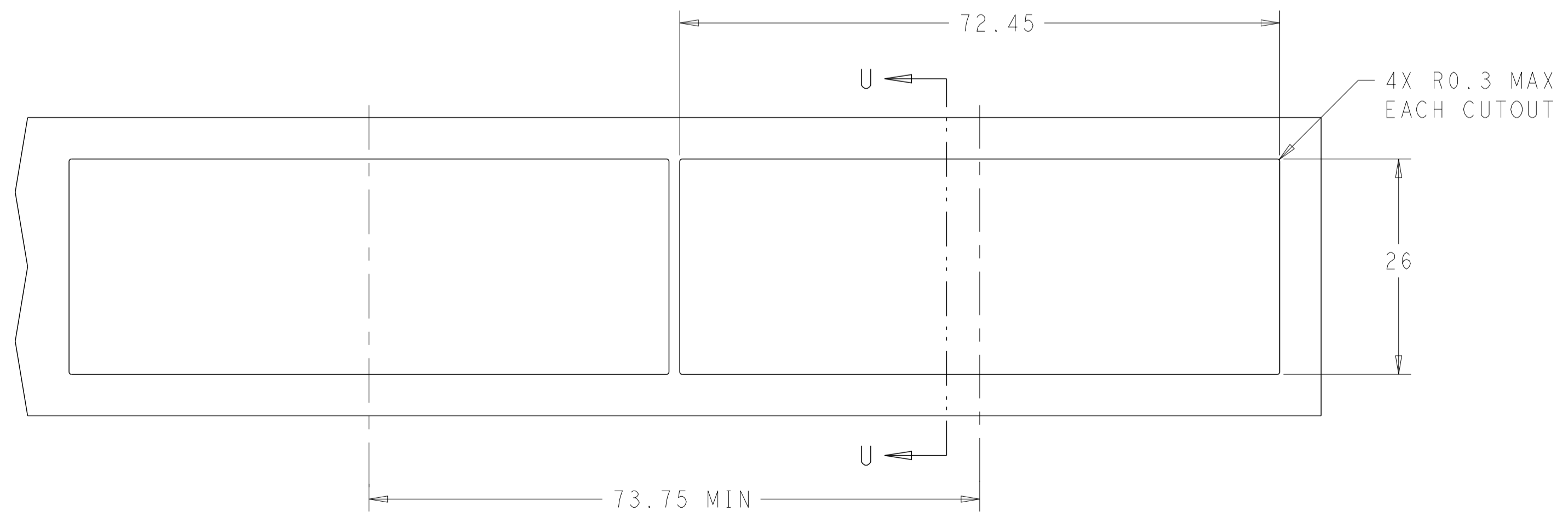
RECOMMENDED PCB LAYOUT  
 COMPONENT SIDE OF BOARD  
 SCALE 5:1

THIS DRAWING IS A CONTROLLED DOCUMENT. DIMENSIONING AND TOLERANCING PER ASME Y14.5M-2009		DMN C. VALENTINE 06JAN2010 CHK J. PETERSON 06JAN2010 APVD J. PETERSON 06JAN2010	<b>STE</b> TE Connectivity	
DIMENSIONS: mm	TOLERANCES UNLESS OTHERWISE SPECIFIED:	NAME	CAGE AND PT CONNECTOR ASSEMBLY, WITH EMI SPRINGS, PRESS FIT, 2X5, STACKED SFP+	
0 PLC ±0.1 1 PLC ±0.1 2 PLC ±0.1 3 PLC ± 4 PLC ± ANGLES ±	FINISH	PRODUCT SPEC	SIZE	RESTRICTED TO
MATERIAL	FINISH	APPLICATION SPEC	108-2331	A100779
		114-13219	SCALE	4:1
		WEIGHT	SHEET	3 OF 4
		CUSTOMER DRAWING	REV	B

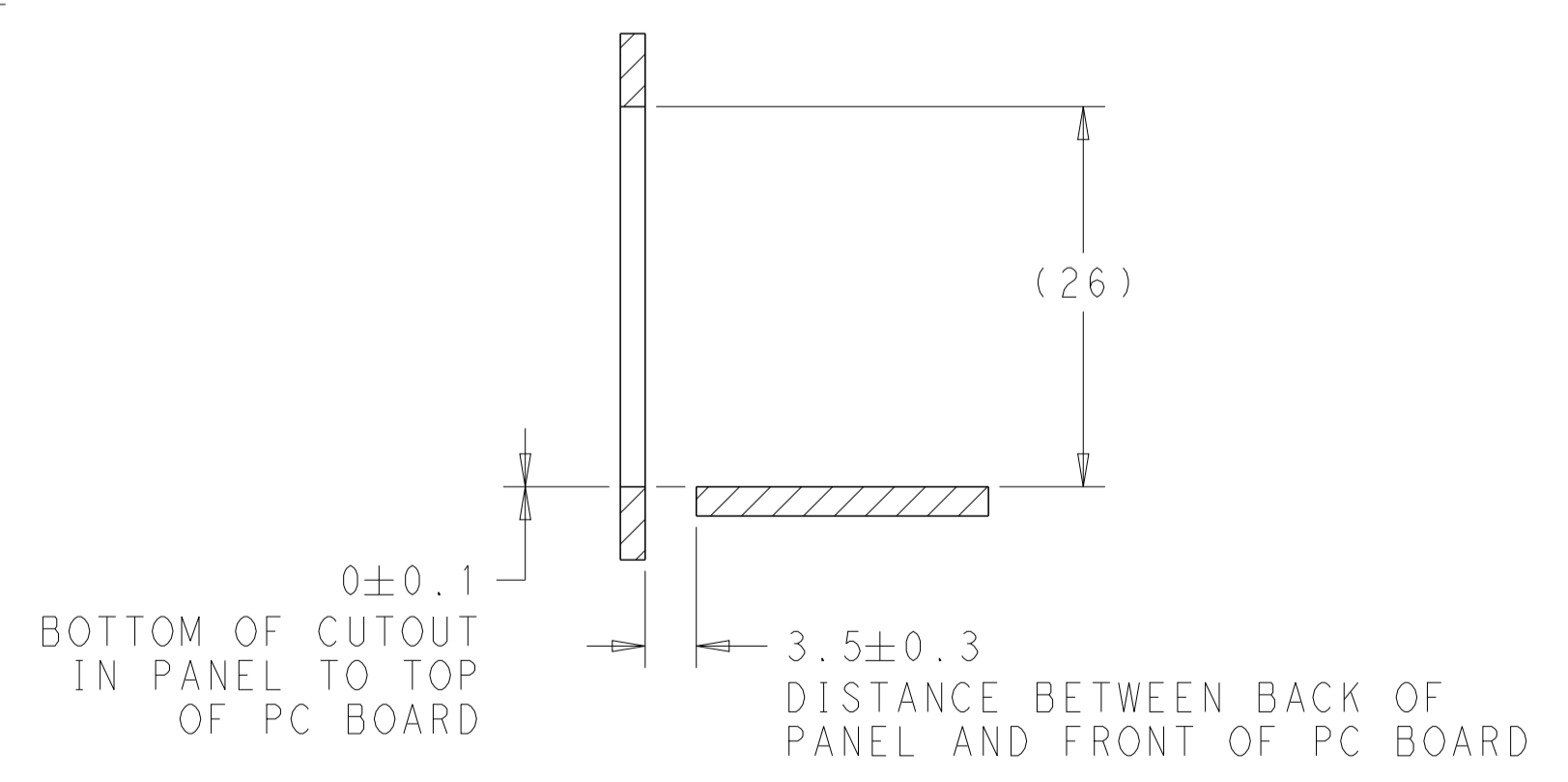
LOC	DIST	REVISIONS			
P	LTH	DESCRIPTION	DATE	DWN	APVD
-	-	SEE SHEET 1	-	-	-



DETAIL G  
 CONNECTOR HOUSING  
 KEEPOUT ZONE  
 SCALE 10:1



RECOMMENDED PANEL CUTOUT  
 AND PC BOARD, PANEL POSITION  
 SCALE 2:1



SECTION U-U

THIS DRAWING IS A CONTROLLED DOCUMENT. DIMENSIONING AND TOLERANCING PER ASME Y14.5M-2009		DWN C. VALENTINE 06JAN2010	TE Connectivity NAME CAGE AND PT CONNECTOR ASSEMBLY, WITH EMI SPRINGS, PRESS FIT, 2X5, STACKED SFP+
DIMENSIONS: mm		CHK J. PETERSON 06JAN2010	
TOLERANCES UNLESS OTHERWISE SPECIFIED:		APVD J. PETERSON 06JAN2010	PRODUCT SPEC
0 PLC	±0.1	108-2331	APPLICATION SPEC
1 PLC	±0.1	114-13219	WEIGHT
2 PLC	±0.1		CUSTOMER DRAWING
3 PLC	±0.1		SCALE 4:1
4 PLC	±0.1		SHEET 4 OF 4
ANGLES	±0.1		REV B
FINISH	±0.1		